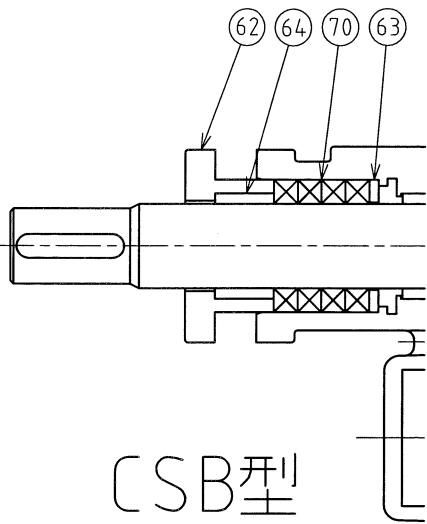
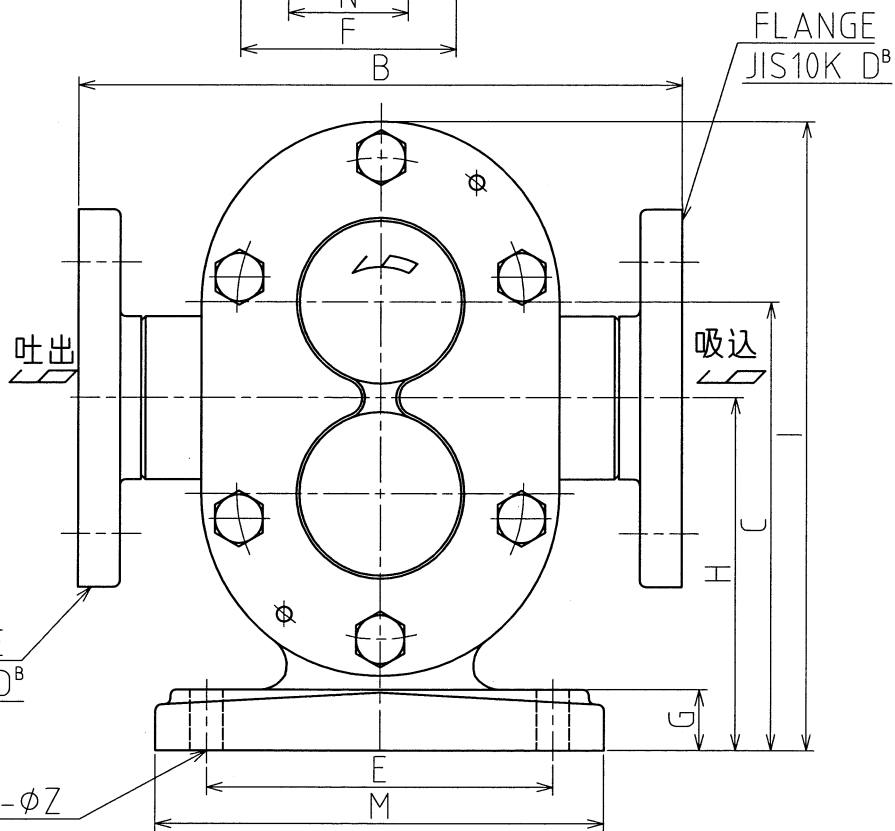


CSB-S型



CSB型



FLANGE  
JIS10K D<sup>B</sup>

				22	METAL B	1	CARBON
70	GLAND PACKING	1SET	ARAMID FIBER	21	METAL A	3	CARBON
63	GLAND P/K. SUPPORTER	1	SUS304	14	GEAR	2	SUS630HARDENING
				10	DRIVEN SHAFT	1	SUS304HARD-Cr
73	MECH. OIL SEAL	2	FKM	9	DRIVE SHAFT	1	SUS304HARD-Cr
65A	GLAND COVER PACKING	1	PTFE	5	REAR COVER	1	SCS13AHARD-Cr
64	GLAND METAL	1	CARBON	2	FRONT COVER	1	SCS13AHARD-Cr
62	GLAND	1	SCS13A	1A	CASE PACKING	2	PACKING PAPER
60	KEY	1	S45C	1	CASE	1	SCS13A
No.	NAME	QUANT.	MATERIAL	No.	NAME	QUANT.	MATERIAL